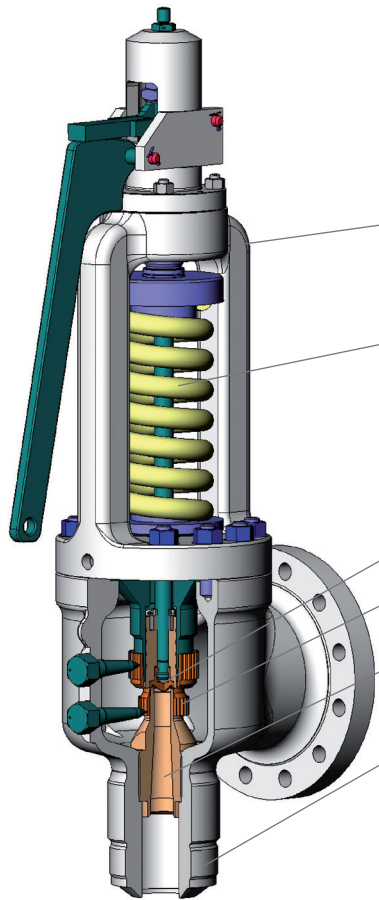


SMS-7100



AST S.p.a.
via Merendi, 40
20010 Cornaredo (Milano)
phone:+39 02 934848.1



- Weatherhood is available to protect the spring and the upper structure
- Precision alloy wound spring for precise and repeatable performance
- Flexible lip seat for superior tightness
- Double ring design, 3% overpressure and 4% blowdown
- High capacity discharge
- Flanged or welded connection available

Main features

Flanged, spring loaded, direct acting, full nozzle safety relief valves for steam service (ASME Sect.I).
Media: steam (suitable also for gas).
Orifices: from "D" to "T".
Set pressure range: up to 206 bar.
Temperature range: up to 566 °C.
Overpressure: 3% or 0.14 bar.
Blowdown: 4% or 0.28 bar.
Materials: carbon steel, alloy steel and other materials upon request.
Options: lifting lever, test gag, finned bonnet, hardened seat.

Sizes / Pressure Classes

Size inlet & outlet: from NPS 1 to NPS 8 & from NPS 1 1/2 to NPS 12.
Rating: up to ASME 2500.

Design Codes & Product Standards

EN ISO 4126-1, EN 12516, EN 12952-10, EN 1092, ASME B16.34, ASME B16.5, ASME Sect.I.

Homologation & Approvals

CE marking (97/23/CE PED and 94/9/CE ATEX), AQSIQ (China), TR_TS 010 and TR_TS 032(Russia-Belarus-Kazakistan Custom Union, ex-GOST).