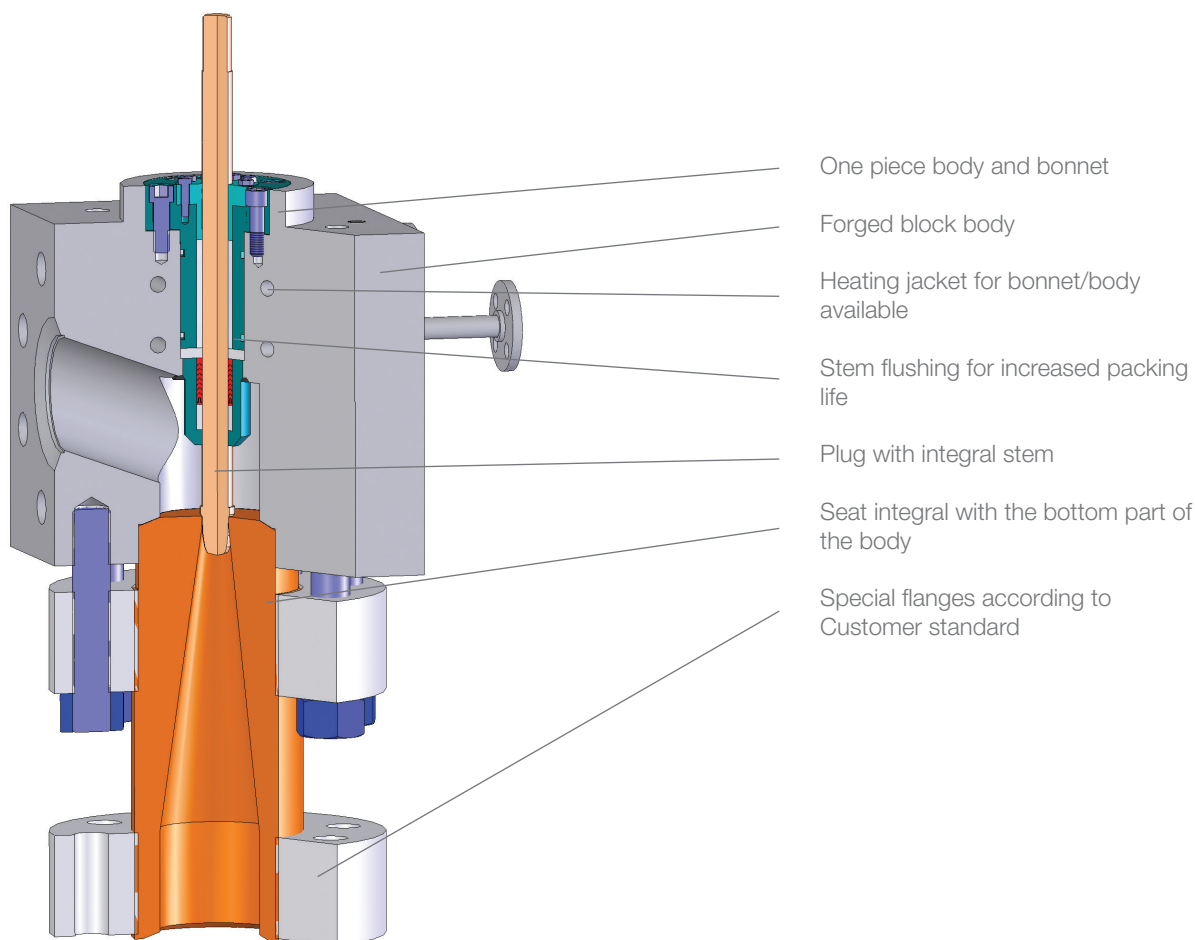




## CV-8700/U & CV-8700/S



### Main features

The peculiarity of these valves is that they are made from a forged block body, in a single piece including bonnet. The total absence of threads in all the parts in contact with processing fluid, the absence of stagnation areas and the stem stiffness complete their features.

The expertise gained in the field of urea and melamine plants, the optimisation of fluid-dynamic features and the use of specific materials allow to obtain a high resistance to erosion and corrosion, at high pressure, at high operating  $\Delta P$ , and at high temperature.

Materials: ASTM A182 F316L, F316L urea grade, F310 MoLn S31050, Hastelloy C276 and others upon request.

Trim Materials: special duplex stainless steels Hastelloy C22 and others, in accordance with Licensor standard, are available.

Accessories: pneumatic, electropneumatic or digital positioners, filters, boosters, lockup valve, flushing nozzle, heating jacket etc.

### Sizes / Pressure Classes

Size: from NPS 3/4 to NPS 10.

Rating: up to PN 400 and ASME 2500.

### Design Codes & Product Standards

IEC 60534, FCI 70-2, EN 12516, EN 1092, ASME B16.34, ASME B16.5.

### Homologation & Approvals

CE marking (97/23/CE PED and 94/9/CE ATEX), TR\_TS 010 and TR\_TS 032 (Russia-Belarus-Kazakhstan Custom Union, ex-GOST).