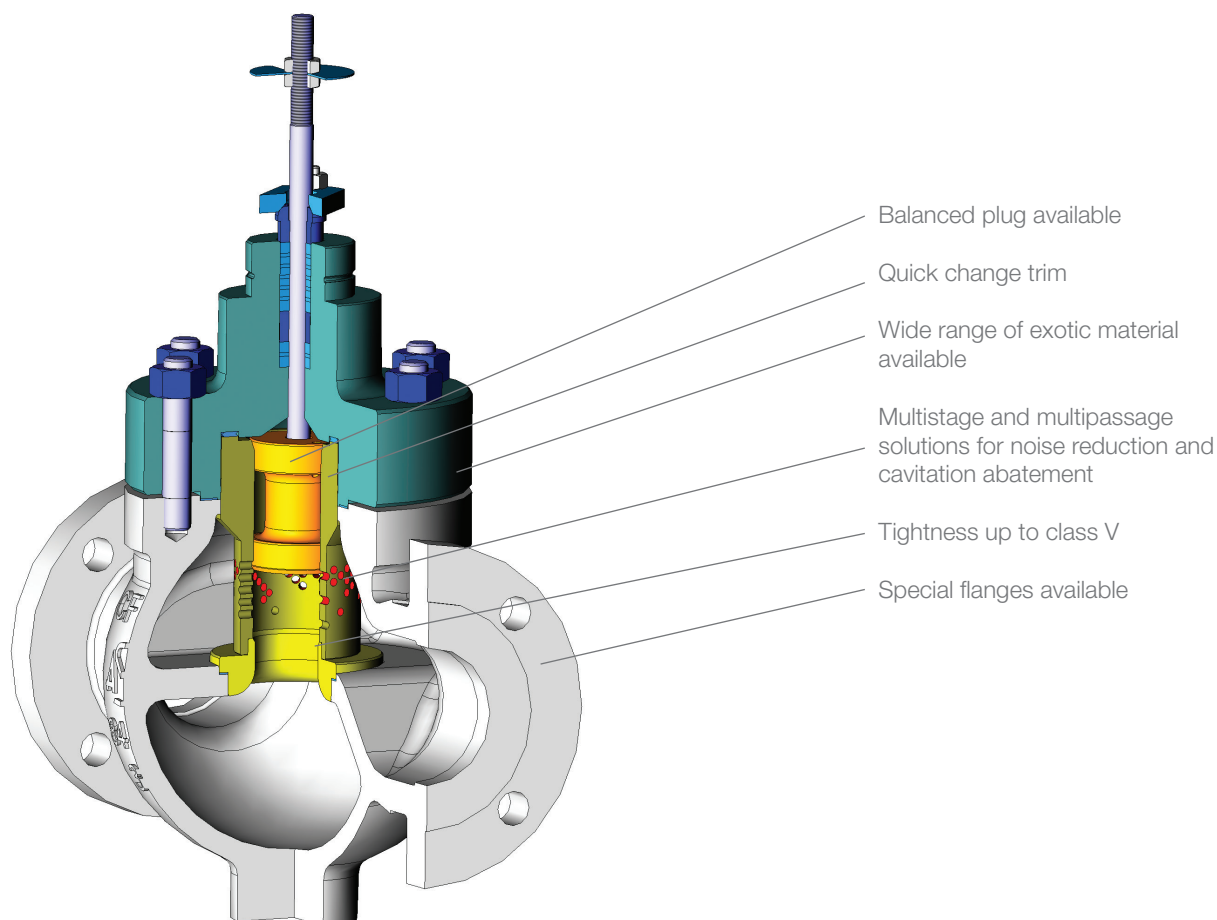


# CV-8450 & CV-8750



AST S.p.a.  
via Merendi, 40  
20010 Cornaredo (Milano)  
phone:+39 02 934848.1



Balanced plug available

Quick change trim

Wide range of exotic material available

Multistage and multipassage solutions for noise reduction and cavitation abatement

Tightness up to class V

Special flanges available

## Main features

These valves series are derived from CV-8400 and CV-8700. They are used to reduce noise (gas service) or avoid cavitation (liquid service).

CV: from 8 to 630 (linear characteristics) from 7 to 580 (exponential characteristics).

Balanced plug available.

Tightness class: up to class V.

Materials: carbon steel, alloy steel, hastelloy, monel and other materials upon request.

## Sizes / Pressure Classes

Size: from NPS 3/4 to NPS 8.

Rating: up to ASME 2500.

## Design Codes & Product Standards

IEC 60534, FCI 70-2, EN 12516, EN 1092, ASME B16.34, ASME B16.5. **Homologation &**

## Approvals

CE marking (97/23/CE PED and 94/9/CE ATEX), TR\_TS 010 and TR\_TS 032(Russia-Belarus-Kazakistan Custom Union, ex-GOST).