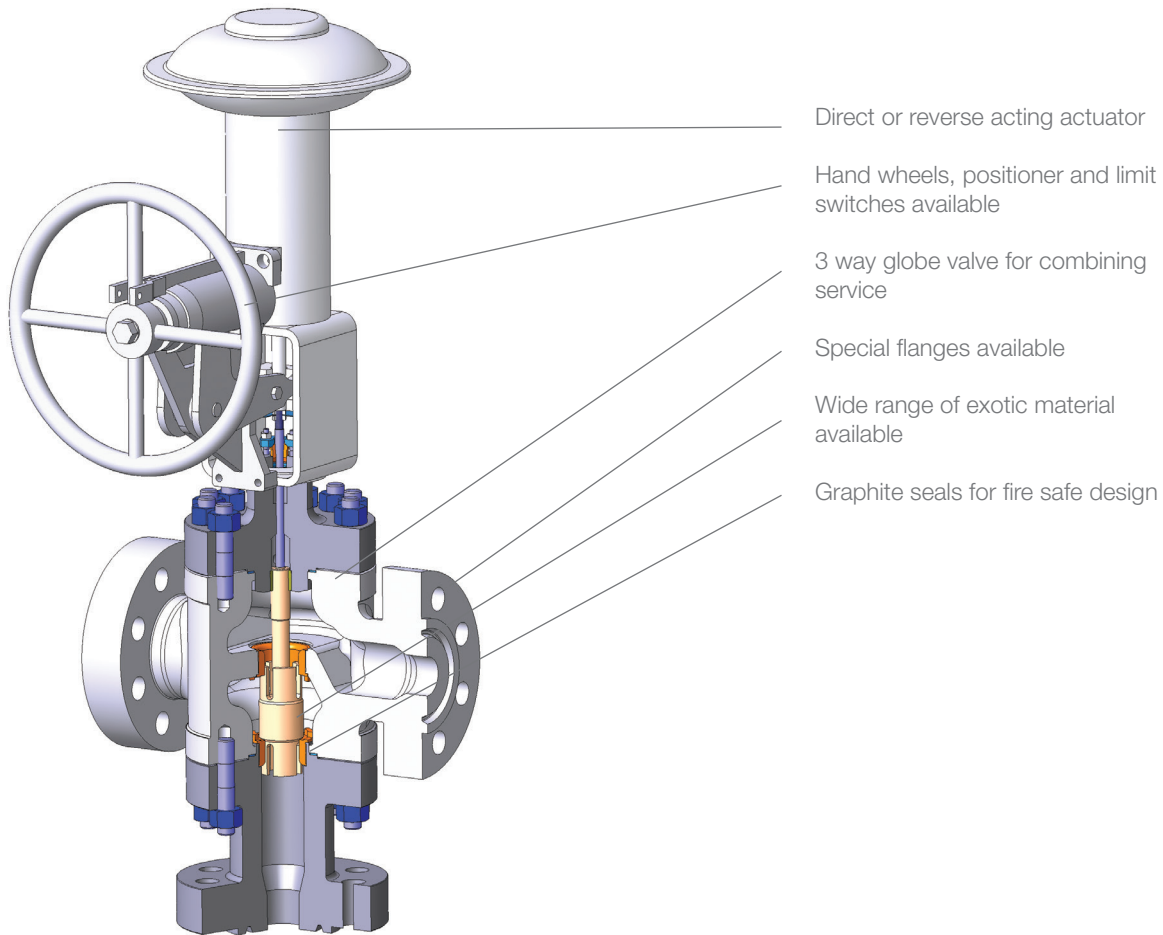


# CV-8000



Direct or reverse acting actuator

Hand wheels, positioner and limit switches available

3 way globe valve for combining service

Special flanges available

Wide range of exotic material available

Graphite seals for fire safe design

## Main features

AST produces a complete series of control valves with electric or pneumatic spring-diaphragm actuators. Materials: carbon steel, alloy steel, hastelloy, monel and other materials upon request.

Accessories: handwheels (side and top mounted), stem bellows for bubble tight sealing, pneumatic, electropneumatic or digital positioners, filters, boosters, lockup valve etc.

## Sizes / Pressure Classes

### CV-8100: Globe single seat, top and bottom guided

Size: from NPS 3/4 to NPS 10.

Rating: up to ASME 2500.

CV: from 6 to 750.

### CV-8200:

#### Globe double seat

Size: from NPS 3/4 to NPS 16.

Rating: up to ASME 2500.

CV: from 9 to 2560.

### CV-8300C:

#### Globe three-way combining

Size: from NPS 3/4 to NPS 10.

Rating: up to ASME 2500.

CV: from 6 to 750.

### CV-8300D:

#### Globe three-way diverting

Size: from NPS 3/4 to NPS 12.

Rating: up to ASME 2500.

CV: from 6 to 1100.

### CV-8400:

#### Globe single seat, top guided

Size: from NPS 1/2 to NPS 8.

Rating: up to ASME 2500.

CV: from 0.001 to 650.

### CV-8700:

#### Angle

Size: from NPS 3/4 to NPS 6.

Rating: up to ASME 2500.

CV: from 1.6 to 425.

## Design Codes & Product Standards

IEC 60534, FCI 70-2, EN 12516, EN 1092, ASME B16.34, ASME B16.5.