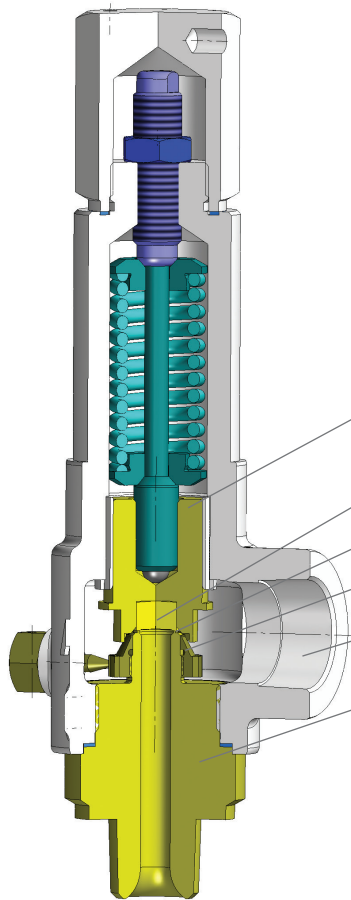


SMFN / SMF / SU-7000



AST S.p.a.
via Merendi, 40
20010 Cornaredo (Milano)
phone:+39 02 934848.1



- Bellows and piston available
- Easy replaceable seat for quick maintenance and costs saving
- Metal to metal seat with superior tightness
- Certified discharge capacity for gas and liquid service
- Screwed or flanged connections
- Full nozzle design

Main features

Screwed and flanged, spring loaded, direct acting, full nozzle safety relief valves.

Media: gas, steam and liquid.

Overpressure: gas, steam and liquid 10%.

Blowdown: gas and steam 5 to 7%.

Orifices: from "b" to "f".

Set pressure range: from 0.8 bar to 400 bar (for gas), up to 1500 bar for liquid.

Temperature range: from -200 °C to 400 °C.

Materials: carbon steel, alloy steel, hastelloy, monel and other materials upon request.

Options: bellows, nozzle, lifting lever, test gag, resilient or hardened seat.

Sizes/Pressure Classes

Size inlet & outlet: from NPS 1/2 to NPS 1 & from NPS 1 to NPS 1 1/2.

Rating: up to API 6000 or ASME 2500.

Design Codes & Product Standards

EN ISO 4126-1, EN 764-7, EN 12516, EN 1092, API 520, API 521, API 527, ASME B16.34, ASME B16.5, ASME Sect.VIII.

Homologation & Approvals

CE marking (97/23/CE PED and 94/9/CE ATEX), AQSIQ (China), TR_TS 010 and TR_TS 032(Russia-Belarus-Kazakistan Custom Union, ex-GOST)