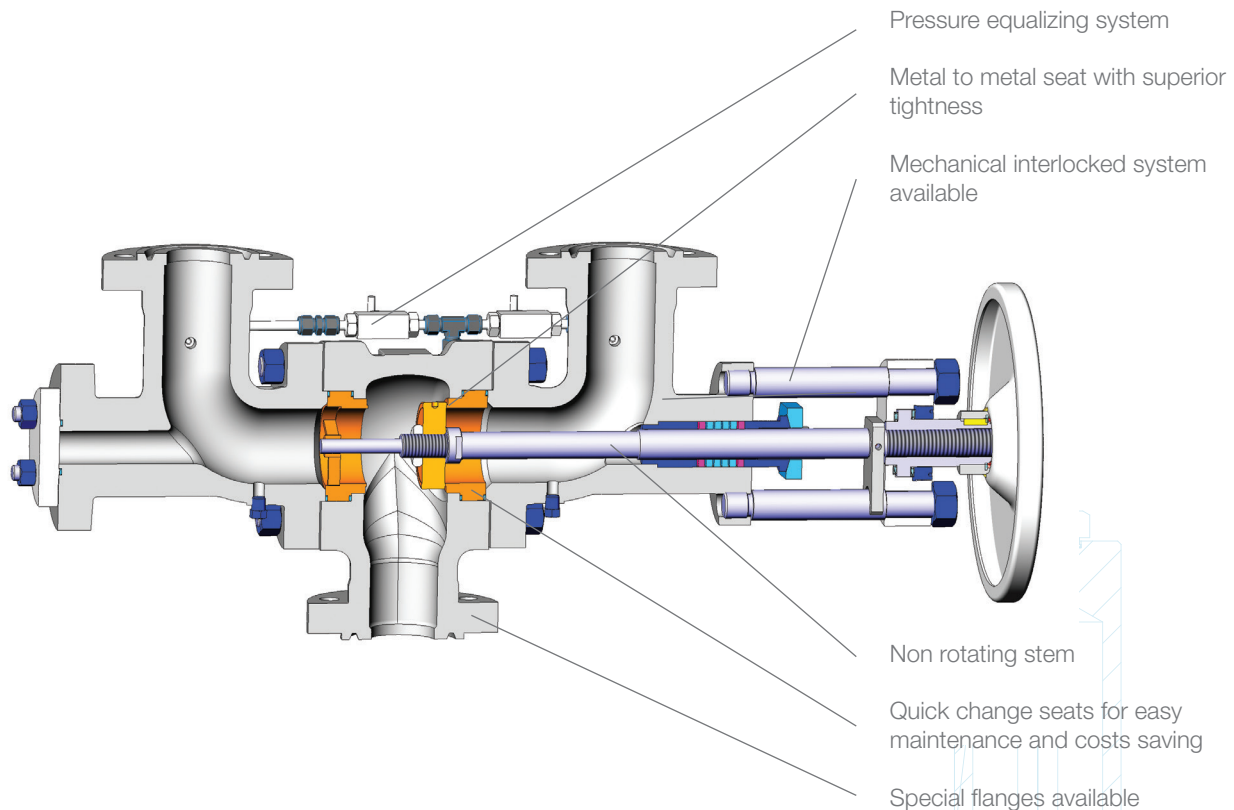


RV-6000



AST S.p.a.
via Merendi, 40
20010 Cornaredo (Milano)
phone:+39 02 934848.1



Main features

Two safety valves can be installed together and one can be kept as spare.
Change-over valves have been designed to minimize pressure drop; flow areas are always bigger than inlet or outlet connections.
Materials: carbon steel, alloy steel, hastelloy, monel and other materials upon request.
Accessories: the change-over can be equipped with a variety of accessories such as limit switches and pneumatic or electric actuators. It is available with stem bellows for a bubble tight sealing.

Sizes / Pressure Classes

Size: from NPS 3/4 to NPS 16.
Rating: up to ASME 2500.

Design Codes & Product Standards

EN 12516, EN 1092, ASME B16.34, ASME B16.5, ASME Sect.VIII, IEC 60534.

Homologation & Approvals

CE marking (97/23/CE PED and 94/9/CE ATEX), TR_TS 010 and TR_TS 032(Russia-Belarus-Kazakhstan Custom Union, ex-GOST).